

WARRANTY

Within 30 days of purchase: Return to retailer from which you purchased for repair or replacement.

Within 5 years of purchase: Return to Olight for repair or replacement.

This warranty does not cover normal wear and tear, modifications, misuse, disintegrations, negligence, accidents, improper maintenance, or repair by anyone other than an Authorized retailer or Olight itself.



Technical Support Inquiries
techsupport@olightworld.com

Customer Service
cs@olightworld.com

Visit www.olightworld.com to see our complete product line of portable illumination tools.



Olight Technology Co., Limited
2/F East, Building A, B3 Block, Fuhai Industrial Park, Fuyong, Bao'an District, Shenzhen, China 518103

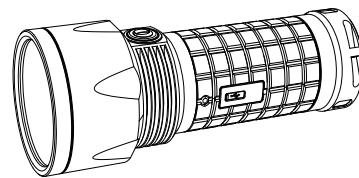
V1. APRIL 30, 2014

MADE IN CHINA



SR52 INTIMIDATOR
VARIABLE-OUTPUT SIDE-SWITCH RECHARGEABLE LED FLASHLIGHT

USER MANUAL



Thank you for purchasing the Olight SR52 Intimidator flashlight! Please read this manual carefully before using this product.

INSIDE THE BOX

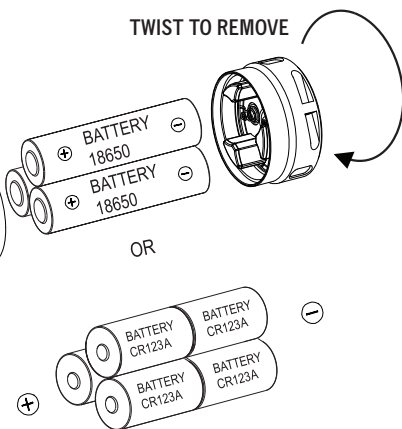
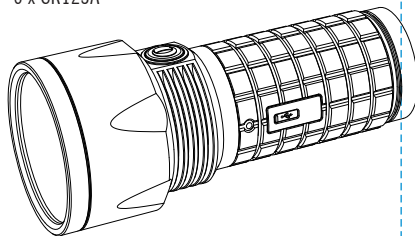
SR52 Intimidator, Holster, (2) O-rings, lanyard, 5V 1A USB power adapter, USB Cable, warranty card, user manual

BATTERY INSTALLATION

Ensure batteries are inserted with the positive (+) end pointing to the head.

SUPPORTED BATTERIES

- 3 x 18650 (Please ensure that all the 18650 batteries used in the SR52 have a button top configuration or they will not make contact with terminals in the battery compartment.)
- 6 x CR123A



WARNING:

- Do not use unsupported batteries with this flashlight.
- Cannot use flat 18650 batteries.
- Do not mix rechargeable and non-rechargeable batteries.
- Use caution on high outputs or long runtimes as flashlight may get hot.
- Do not charge the light when use the non-rechargeable batteries.
- Do not mix batteries of different types/brands.

HOW TO OPERATE

ON/OFF: Click the side switch to turn flashlight on or off, the light has mode memory, every restart, the light returns to your previous level.

CHANGE BRIGHTNESS LEVEL (FIG A)

Press and hold the side switch when the light is on. The brightness levels will cycle up then repeats low – medium – high until level is selected. Release the switch when on the desired brightness level to select it.

STROBE (FIG A): Double-clicking the side switch will activate the strobe mode, holding down the switch for 1 second will return to constant on.

LOCK OUT: (FIG B) Press and hold the side switch for approximately two seconds then the light is off. The lock out mode will prevent the side switch turning on to prevent accidental activation.

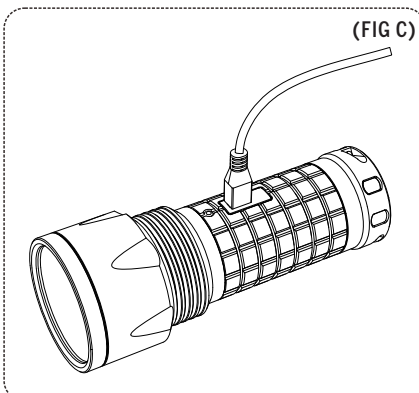
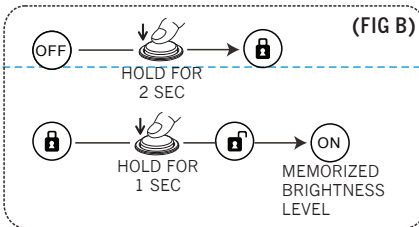
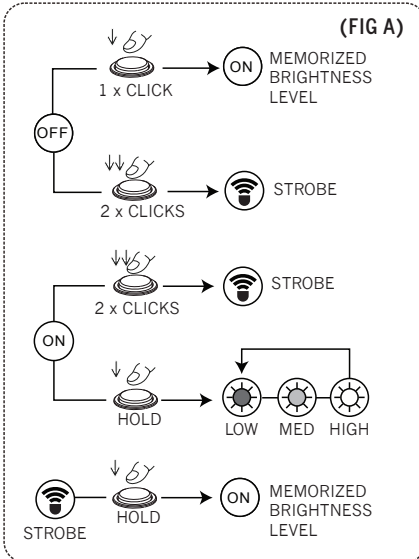
UNLOCK: (FIG B) Press and hold the side switch for approximately one second when the light is locked. The light will automatically be in memory mode.

CHARGING THE FLASHLIGHT (FIG C)

Push the cover above USB socket aside, then make connection between the flashlight and PC's USB port or USB power adapter through micro-usb cable. Fully charging three depleted 18650 batteries will take approximately 10 hours, while the charging is complete, the indicator will turn green from red.

LOW BATTERY WARNING

When the battery voltage gets lower, the indicator near the USB port start to blink once in one minute, if the indicator become red, it meaning the battery energy is coming to use up.



SPECIFICATIONS

OUTPUT & RUNTIME	
HIGH	1,200 LUMENS / 4 HRS
MED	600 LUMENS / 7.5 HRS
LOW	100 LUMENS / 40 HRS
STROBE	1,200 LUMENS / 8 HRS
LED	CREE XM-L2
VOLTAGE	3V TO 9V
CANDELLA	84,100 CD
BEAM DISTANCE	580 METERS/ 1,903 FEET
BATTERY TYPE	3 x 18650 or 6 x CR123A
BODY TYPE	TYPE III HARD ANODIZED ALUMINUM
WATERPROOF	IPX8 (UP TO 2 METERS)
IMPACT RESISTANCE	1 METER
DIMENSIONS	L 161.5mm x D 63mm/ 6.3 in x 2.5in
WEIGHT	405 g/ 14.3 oz(excluding batteries)

Note: testing done with 3 x 18650 batteries (3.6V, 3400mAh)
All performance claims to ANSI/NEMA FL1-2009 Standard.

